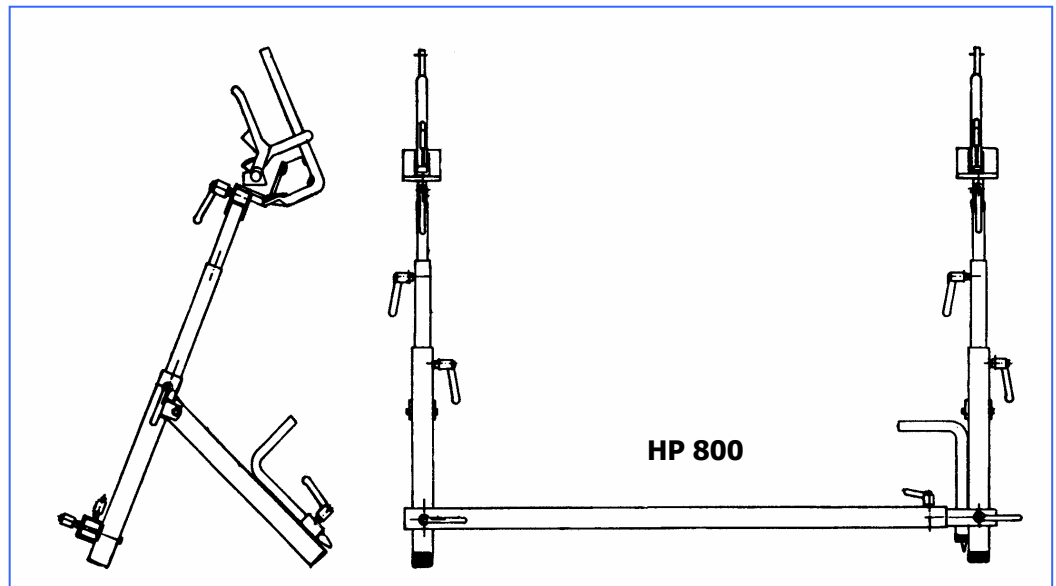




Cable Jointing stand

Cable clamp



HP 800 Collapsed view



TECHNICAL INFO

Cable Jointing Stand HP 800

Galvanized, easy to handle, stepless adjustments at height and wideness
Ratchet handle screws for adjustments
180 degree turn of cable clamps possible

Cable Clamp HP 100

For quick and easy fixing of cables whilst cutting - stripping - jointing
Very easy to be fixed at a bench - table - plank - cupboard walls - cable drums etc.

Item no	Description	Height / width mm	Cable dia.. mm	Weight kgs	
HP 800	Jointing stand	450-900 / 1050-2100	20 - 200	13,5	
HP 100	Cable clamp	530 / 210	20 - 200	2,5	